

***RAIN***  ***BIRD***®

Install a new pattern of efficiency  
from 13 to 24 feet.



# Install Confidence.<sup>®</sup> Install Rain Bird<sup>®</sup> Rotary Nozzles.



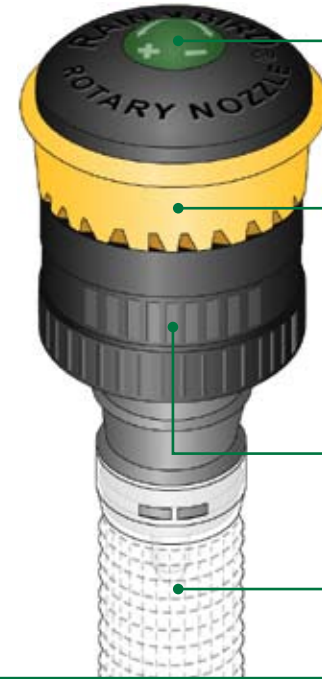
Rain Bird<sup>®</sup> Rotary Nozzles improve your productivity, while managing water wisely. Rotary Nozzles feature a low precipitation rate of 0.60 in/hr and are designed to fit on Rain Bird spray heads.

- **Fewer zones, faster installs** — with approximately 60% less flow than conventional spray nozzles, Rotary Nozzles allow more heads per zone, reducing overall system complexity and cost.
- **Efficient water distribution** — rotating streams uniformly deliver water at a low precipitation rate, significantly reducing run-off and erosion.
- **Eliminate dry spots** — expanded radius and low flow rate allow for easy retrofit to solve existing problems.
- **Design flexibility** — can be zoned with Rain Bird 5000/5000 Plus MPR Rotor Nozzles, allowing MPR designs from 13 to 35 feet.

For more information, contact your authorized Rain Bird distributor, or visit [www.rainbird.com/rotarynozzles](http://www.rainbird.com/rotarynozzles).

## Rotary Nozzle

## Features & Benefits



### Radius Adjustment Slot

- Uses a standard flathead screwdriver
- Plug color designates arc/pattern

### Rotary Deflector

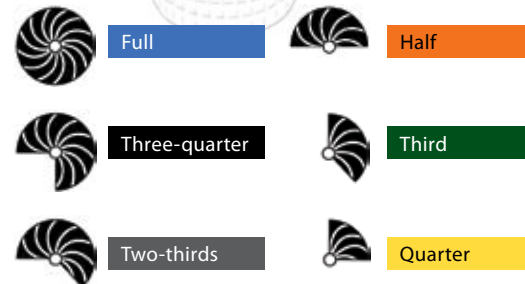
- Colored deflector makes distance of throw easy to identify
  - Black: 13'-18' adjustable radius
  - Yellow: 17'-24' adjustable radius

### Pattern and Alignment Indicators

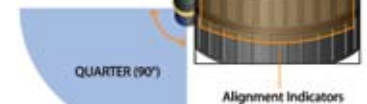
### Replaceable Screen

### Easy Arc/Pattern Identification:

Color-coded radius reduction plugs



Grooved teeth show active pattern



Added labeling for Third, Two-thirds and Three-quarters patterns

